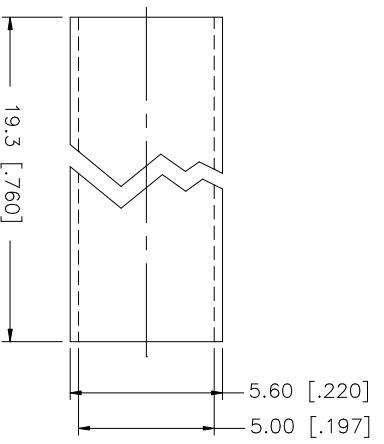
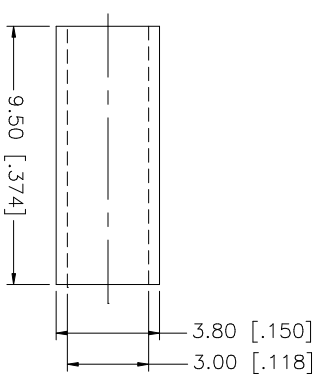
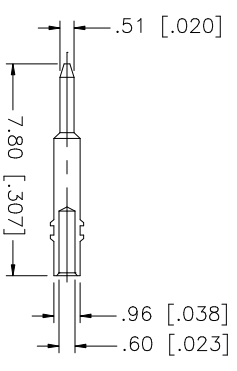
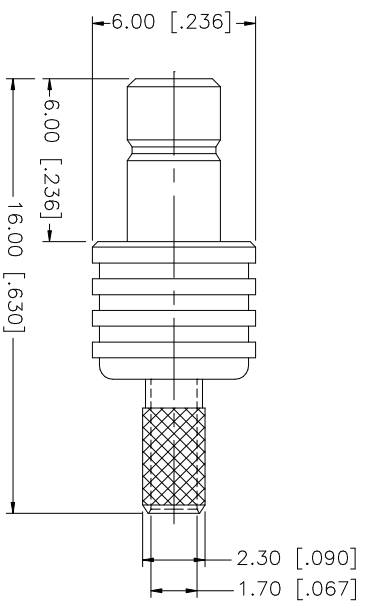
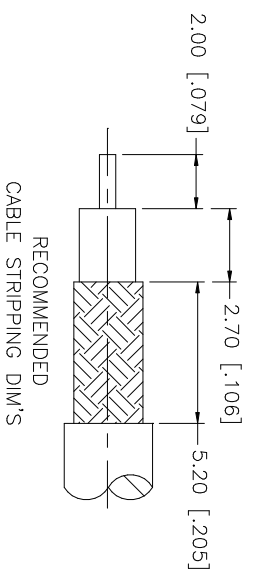


REV.	DATE	DESCRIPTION
NC	02/24/03	INITIAL RELEASE



NOTE:
1. CRIMPED FERRULE
HEX CRIMP SIZE .128"
2. CONTACT PIN TO SOLDER

QTY	FINISH	MATERIAL	DESCRIPTION
1	GOLD	COPPER	HEAT SHRINK TUBE
1	GOLD	BRASS	FERRULE
1	NATURAL	TEFLON	CONTACT PIN
1	GOLD	BRASS	INSULATOR BODY

UNLESS OTHERWISE SPECIFIED, DIMENSIONS ARE IN MILLIMETERS. DIMENSIONS IN [] ARE IN INCHES AND FOR CUSTOMER REFERENCE ONLY. TOLERANCES FOR MILLIMETERS ARE:	APPROVALS	DATE
0.5 - 8mm ± 0.20mm	DRAWN G.R.S.	02/24/03
8 - 30mm ± 0.40mm	CHECKED	
30 - 120mm ± 0.50mm	ISSUED	
UNLESS OTHERWISE SPECIFIED, DIMENSIONS FOR INCHES ARE:	SHEET 1 OF 1	
.020 - .315 = ± 0.007"		
.315 - 1.180 = ± 0.015"		
1.180 - 4.724 = ± 0.020"		

CAD FILE	DWG. NO.	REV.	SIZE	SCALE
C:/142/142189.DWG	142189.DWG	NC	A	NA

PART DESCRIPTION	PART NO.
SMB CRIMP JACK (FOR RG-174/U, 188A/U, 316/U CABLE)	142189

Amphenol Connex